

V-TEK Lapdesk



Team

Aarron Santos, Brian Braegelmann, Charlie Jones, Aarron Santos, and Gregory Timm

Clinic Advisor

Dr. Sarah Baxter

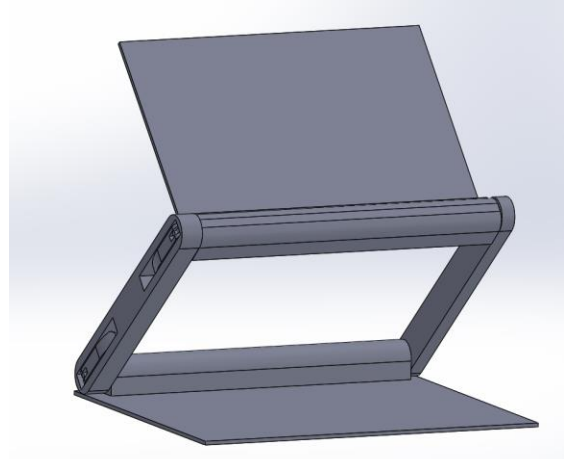
Industry Rep

Mr. Denney Siemer



Design Constraints

- Manufactural for <\$13
- Continues motion for the upper and lower hinges.
- Able to be carried in a backpack or briefcase very easily.
- Easy to adjust the hinges and use.



CAD design of the Lapdesk

Project Summary

V-TEK approached a group of University of St. Thomas engineering students with a design for a lapdesk tablet holder. Their design utilized friction hinges and cost \$26 to manufacture. V-TEK wanted to make a lapdesk that could be manufactured for \$13.

Design Goal

Create a design for the Lapdesk tablet holder that is able to be manufactured for \$13 or less. The primary source of cost in the original V-TEK prototype was the 4 hinges. The aim is to create a cheaper hinge or to create a design that requires fewer hinges.



A wood prototype of the design with the quick release hinges